

# 200 PSI Butterfly Valves

Ductile Iron Body • Cartridge Liner • Lug Style

**Sizes 14", 16", 18", 20", and 24"**

Install between Std. ASME Class 125/150 Flange  
150 psi Bi-directional dead end service rating without a downstream flange required.

CONFORMS TO MSS SP-67

- LISTED BY IAPMO R&T FOR COMPLIANCE WITH SECTION 116875 OF THE CALIFORNIA HEALTH AND SAFETY CODE
  - VERMONT ACT 193

## MATERIAL LIST

PART	SPECIFICATION
1. Bottom Plate	Steel ASTM A108 Grade 1035
2. Bolt	Steel ASTM A307/ASTM A307 (2 for 14"-20", 4 for 24")
3. O-Ring	Buna-N Rubber Nitrile
4. Bushing	Bronze ASTM B584 Grade C83600/316SS
5. O-Ring (2)	Buna-N Rubber Nitrile
6. Body	Ductile Iron ASTM A536
7. Seat	EPDM Rubber or Buna-N Rubber Nitrile
8. Disc	Alum. Brz. ASTM B148 Alloy C95400 Ductile Iron ASTM A536 Grade 65-45-12 (Nickel Plated) Stainless Steel ASTM A351 Grade CF8M
9. Stem	Stainless Steel ASTM A582 Type 416 or Stainless Steel ASTM A276 Type 431 316SS Stainless Steel ASTM A276 Type 431 for 24" Size Only
10. Taper Pin (2)	Stainless Steel ASTM A564 Type 17-4PH
11. Bushing	Bronze ASTM B584 Grade C83600 or 316SS
12. Nameplate	Aluminum
13. Bushing	Bronze ASTM B584 Grade C83600 or 316SS
14. Key	Steel ASTM A108 Grade 1045
15. Seat Back Ring	Phenolic Resin, Aluminum B 26 (16" & larger) 14" - 24" six set screws in backing (not shown)

## DIMENSIONS — WEIGHTS

Size	A	Min.	B	C	D	E	F	G	H	I	
In. mm.	Dia.	Pipe I.D.	Dia.	Dia.				Body	Seat	Dia.	
14	350	13.1	13.0	14.8	17.2	14.5	1.77	26.77	3.01	3.13	1.244
16	400	15.3	15.2	17.3	19.2	15.7	2.02	29.94	3.38	3.54	1.305
18	450	17.3	17.1	19.3	21.2	16.6	2.02	31.55	4.12	4.29	1.496
20	500	19.4	18.9	21.1	23.3	18.9	2.53	35.65	5.14	5.31	1.632
24	600	23.3	23.1	25.7	32.1	22.1	2.76	42.96	5.98	6.14	1.994

## DIMENSIONS — WEIGHTS

Size	J	K	L	P	Q	Cap Screw Length	S	Lug Weight
In. mm.	Dia.	Dia.	Dia.		Dia.		Dia.	Lbs. Kg.
14	350	5.50	4.25	0.56	12	1-8UNC	18.75	121 54.9
16	400	7.75	6.25	0.81	16	1-8UNC	21.25	211 95.8
18	450	7.75	6.25	0.81	16	1½-7UNC	22.75	268 122.6
20	500	7.75	6.25	0.81	20	1½-7UNC	25.00	444 201.6
24	600	10.87	8.50	0.87	20	1¼-7UNC	29.50	594 269.7

Refer to butterfly valve technical information for bolt lengths

## LD 2000/LD 2100

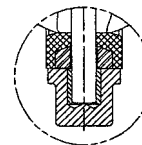
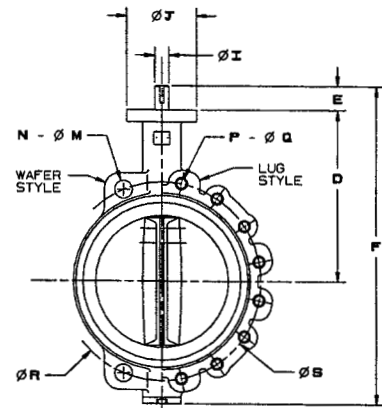
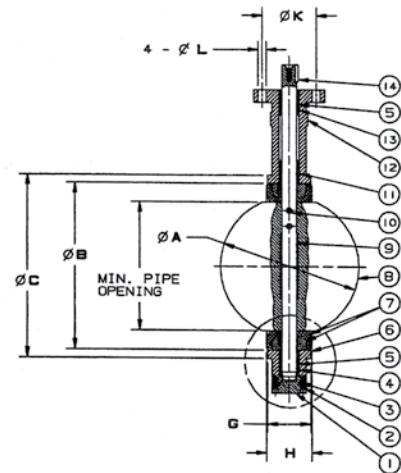
Lug Style  
EPDM or Buna-N Liner  
Aluminum Bronze Disc

## LD 2010/LD 2110

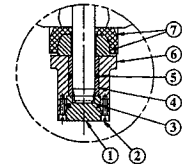
Lug Style  
EPDM or Buna-N Liner  
Ductile Iron Disc

## LD 2022/LD 2122\*

Lug Style  
EPDM or Buna-N Liner  
Stainless Steel Disc



14" Reference



16"-24" Reference



NOT RECOMMENDED FOR STEAM SERVICE

\*LD 2022, 2122, SSTRIM not available in 24"